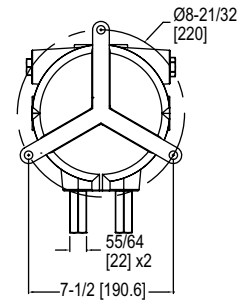
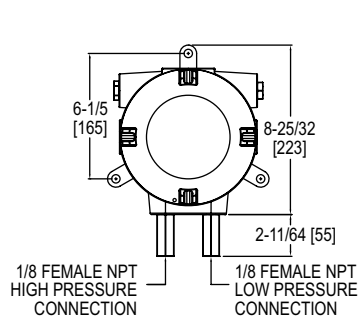
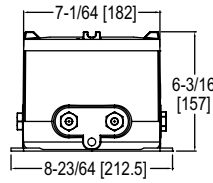


# ATEX/IECEX APPROVED MAGNEHELIC® DIFFERENTIAL PRESSURE INDICATING TRANSMITTER

Series 605 in Flameproof ATEX/IECEX Enclosure



AT-102NA-605, shown with VS0 port/valve configuration

The Series AT-605 ATEX/IECEX Approved Magnehelic® Differential Pressure Indicating Transmitter provides for both visual monitoring and electronic control of very low differential pressure in hazardous locations. An easy-to-read dial gage is complimented by the two-wire, 4-20 mA control signal utilizing the time-proven Dwyer® Magnehelic® gage mechanical design and Series 600 transmitter technology. The two-wire design simplifies any 4-20 mA control loop powered by a 10-35 VDC supply. Flameproof enclosures are available in aluminum and can include a glass window for viewing process pressure on the gage face.

**BENEFITS/FEATURES**

- ATEX/IECEX housing provides all the capabilities and values of the Series 605 Magnehelic® transmitter in a flame and explosion proof enclosure
- Quick response to pressure changes means no delay in assessing critical situations
- Durable and rugged housing and high-quality components combined provide long-service life and minimized downtime
- High impact strength and high temperature rated for applications where hazardous environments exist

**APPLICATIONS**

- Monitor duct, room, or total building pressures
- Filter monitoring
- Local indication of clean room pressures with process signal sent to control room
- Hazardous area pressure measurement and transmitter

PRESSURE LIMITS		
Port/Valve	One Pressure Port Connected	Both Pressure Ports Connected
VS0	10 kPa	10 kPa
VL0	10 kPa	10 kPa
VS1	20 kPa	15 kPa
VS2	40 kPa	20 kPa
VL1	20 kPa	15 kPa

MODEL CHART									
Example	AT	-102NA	-605	-00N	-W	1	VS0	12	AT-102NA-605-00N-W1VS012
Enclosure	AT								ATEX/IECEX approved enclosure
Housing Material		102NA							Aluminum enclosure
Series			605						605 differential pressure indicating transmitter
Range				00N 11 0 1 2 3 6 10 20 30 50 60PA 125PA 250PA 500PA					.05-0-.20 in w.c. .25-0-.25 in w.c. 0-.50 in w.c. 0-1.0 in w.c. 0-2.0 in w.c. 0-3.0 in w.c. 0-6.0 in w.c. 0-10 in w.c. 0-20.0 in w.c. 0-30 in w.c. 0-50 in w.c. 0-60 Pa 0-125 Pa 0-250 Pa 0-500 Pa
Cover					B W				Blind Glass window
Port/Valve Material						1 2			Brass Stainless steel
Port/Valve Configurations							VS0 VL0 VS1 VS2 VL1		STD port/no valve LD port/no valve STD port/STD valve STD port/LD valve LD port/LD valve
Cable Entry								12	1/2" NPT ANSI/ASME B1.20.1

SPECIFICATIONS	
<p><b>GAGE SPECIFICATIONS</b>  <b>Service:</b> Air and non-combustible, compatible gases.  <b>Wetted Materials:</b> Consult factory.  <b>Accuracy:</b> See page reference ① below.  <b>Pressure Limits:</b> See pressure limit chart.  <b>Temperature Limits:</b> 20 to 120°F (-6.67 to 48.9°C) (Note: Product temperature limits differ from case).  <b>Size:</b> 4" (101.6 mm) dial face.</p>	<p><b>Zero and Span Adjustments:</b> Protected potentiometers on 605 face. Can access those by opening case. Allowed only in safe zone.  <b>Loop Resistance:</b> DC: 0 to 1250 Ω max.  <b>Current Consumption:</b> DC: 38 mA max.  <b>Electrical Connections:</b> Screw terminal block.  <b>Mounting Orientation:</b> Diaphragm in vertical position.  <b>Enclosure Rating:</b> IP66 (IP65 for versions VS1/VS2/VL1).  <b>Housing Material:</b> Aluminum.  <b>Finishing:</b> Texture epoxy coat RAL7015.  <b>Process Connections:</b> 1/8" NPT female brass (SS optional).  <b>Electrical Connections:</b> Two 1/2" NPT female. Cable gland not included.  <b>Weight:</b> 13.2 lb (6.0 kg).  <b>ATEX Certificate:</b> EPT 19 ATEX 3192 X.  <b>Agency Approvals:</b> ATEX Compliant: CE 0477 II 2G Ex db IIC T5, T6 Gb -60°C ≤Ta ≤+50°C (T6) -60°C ≤Ta ≤+60°C (T5) II 2D Ex tb IIIC T75 °C Db IECEx Compliant: Ex db IIC T5, T6 Gb -60°C ≤Ta ≤+50°C (T6) -60°C ≤Ta ≤+60°C (T5) Ex tb IIIC T75°C Db.</p>
<p><b>TRANSMITTER SPECIFICATIONS</b>  <b>Accuracy:</b> See page reference ① below. Includes linearity, hysteresis, repeatability.  <b>Compensated Temperature Range:</b> 32 to 120°F (0 to 48.9°C).  <b>Thermal Effect:</b> ±0.025% FS/°F (0.045% FS/°C).  <b>Stability:</b> ±1% FS/year.  <b>Power Requirements:</b> 10-35 VDC (2-wire).  <b>Output Signal:</b> 4-20 mA.</p>	

PRESSURE  
Differential Pressure Transmitters,  
Air & Gas