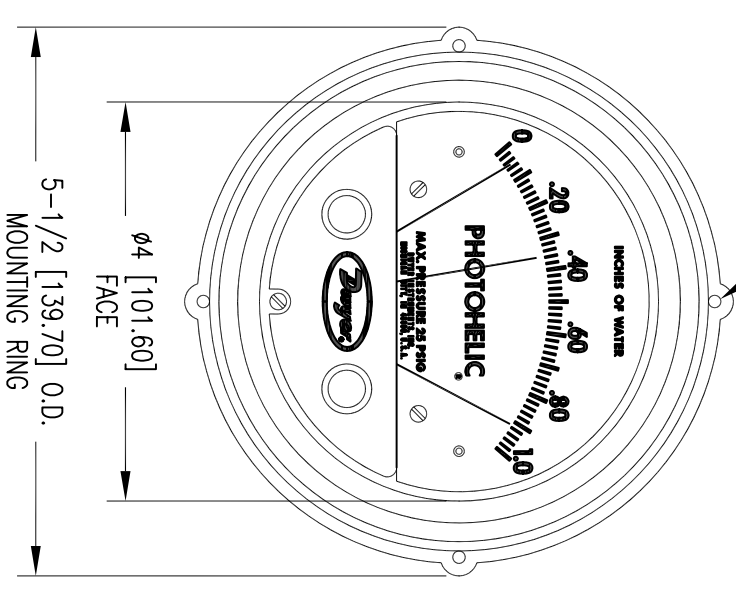


(4) 6-32 HOLES
EQUALLY SPACED ON A
5-1/8 [130.18] B.C.



SCALE 1:2

STANDARD TOLERANCES UNLESS NOTED:
ALL DECIMAL DIMENSIONS ±.005
ALL ANGLES ±1°

NO.		CHANGES		DATE		NAME		MATERIAL	
				DWN BY		3000MR/3000MRS		FINISH	
				CHKD		PHOTOHELIC		Dwyer INSTRUMENTS, INC.	
				APPD				MICHIGAN CITY, INDIANA 46360 U.S.A.	
				BY/DATE		ACADR14		FR. NO.	
						1			

NOTICE: This drawing and the principles and elements of design embodied therein are the exclusive property of DWYER INSTRUMENTS, INC. and are not to be communicated, disclosed, reproduced or used except as previously authorized in writing by such corporation and must not be submitted to outside parties for examination without the written consent of said corporation.